

SmartGen

MAKING CONTROL SMARTER

HFT300

FREQUENCY TEST RELAY

MULTIFUNCTIONAL PROTECTION MODULE

USER MANUAL



郑州众智科技股份有限公司
SMARTGEN(ZHENGZHOU)TECHNOLOGY CO.,LTD.

SmartGen Registered trademark

No. 28 Xuemei Street, Zhengzhou, Henan, China

Tel: +86-371-67988888/67981888/67992951

+86-371-67981000 (overseas)

Fax: +86-371-67992952

Web: www.smartgen.com.cn/

www.smartgen.cn/

Email: sales@smartgen.cn



All rights reserved. No part of this publication may be reproduced in any material form (including photocopying or storing in any medium by electronic means or other) without the written permission of the copyright holder.

Smartgen reserves the right to change the contents of this document without prior notice.

Table 1 - Version History

Date	Version	Content
2014-08-07	1.0	Original release.
2014-10-09	1.1	Rename the product.
2015-03-24	1.2	Add "Multifunctional Protection Module" to the name
2021-09-29	1.3	Modify the function of TEST key.
2024-12-12	1.4	Update the logo of SmartGen and the information of company.

Table 2 - Symbol Instruction

Symbol	Instruction
 NOTE	Highlights an essential element of a procedure to ensure correctness.
 CAUTION	Indicates a procedure or practice, which, if not strictly observed, could result in damage or destruction of equipment.

CONTENT

1 OVERVIEW.....	4
2 PERFORMANCE AND CHARACTERISTICS.....	4
3 TECHNICAL PARAMETERS.....	4
4 PANEL BUTTON DESCRIPTION	5
5 FUNCTION DESCRIPTION	6
6 SCOPES AND DEFINITIONS OF PROGRAMMABLE PARAMETERS.....	7
7 TYPICAL DIAGRAM.....	8
8 INSTALLATION DIMENSIONS.....	8

SmartGen

1 OVERVIEW

HFT300 frequency test relay is widely used in marine genset field and land genset field.

The corresponding over/under frequency relay outputs and alarm protection activates when the frequency has exceeded/fallen below the set value.

2 PERFORMANCE AND CHARACTERISTICS

- Suitable for 3-phase 4-wire, 3-phase 3-wire, single phase 2-wire, and 2-phase 3-wire systems with frequency 50/60/400Hz;
- Over/under frequency protection function;
- Adjustable potentiometer allows for set value adjusting and delay value setting;
- relay output;
- One test button, test the over/under frequency relay and indicator;
- Widely power supply range DC(8~35)V, suitable to different starting battery voltage environment;
- 35mm guide rail mounting;
- Modular design, pluggable terminal, compact structure with easy installation.

3 TECHNICAL PARAMETERS

Table 3 – Technical Parameters

Parameter	Details
Working Voltage	DC8.0V to 35.0V, continuous power supply
Overall Consumption	<0.9W (Standby mode: ≤0.28W)
AC Input	AC50V~ AC620V (ph-ph)
Alternator Frequency	50Hz/60Hz/400Hz
Over Frequency Relay Output	5A AC250V Volts free output
Under Frequency Relay Output	5A AC250V Volts free output
Case Dimensions	89.7mm x 71.6mm x 60.7mm
Working Conditions	Temperature: (-25~+70)°C Humidity: (20~93)%RH
Storage Conditions	Temperature: (-25~+70)°C
Insulation Intensity	Apply AC2.2kV voltage between high voltage terminal and low voltage terminal; The leakage current is not more than 3mA within 1min.
Weight	0.24kg

4 PANEL TERMINAL DESCRIPTION

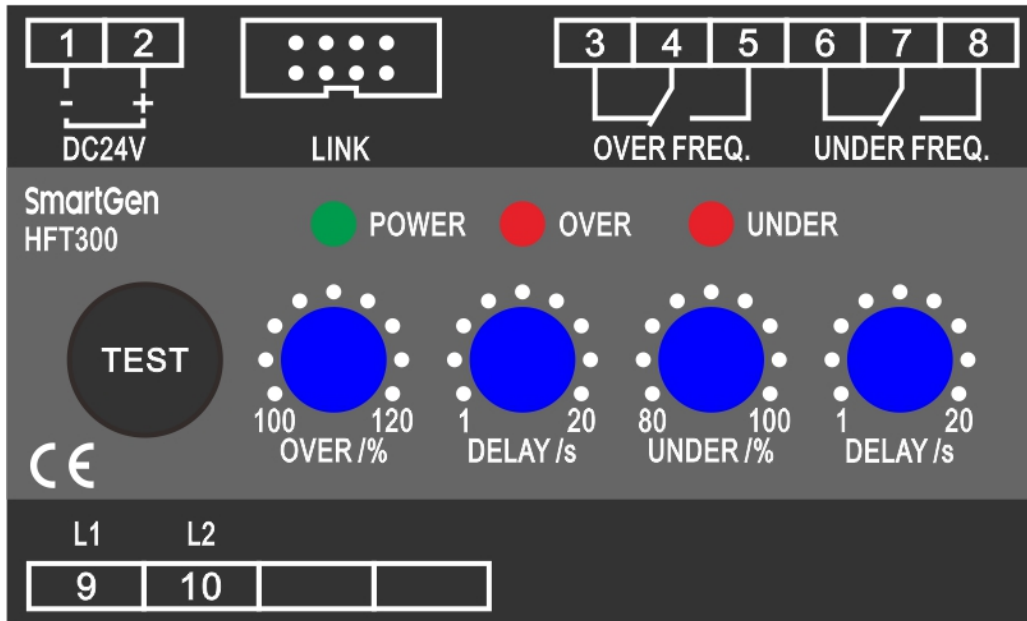


Fig.1 – Panel Drawing

Table 4 - Description of Terminal Connection

NO.	Functions	Cable Size	Remark
1	B-	1.0mm ²	Connected with negative of starter battery.
2	B+	1.0mm ²	Connected with positive of starter battery.
3	OVER FREQ. RELAY	Normally Close	Active when the frequency has exceeded the set value and the delay timer has expired.
4		COM	
5		Normally Open	
6	UNDER FREQ. RELAY	Normally Close	Active when the voltage has exceeded 50V while the frequency has fallen below the set value and the delay timer has expired.
7		COM	
8		Normally Open	
9	L1	1.0 mm ²	Phase Voltage Input
10	L2	1.0 mm ²	
LINK Port	Used for parameters setting.		

Normally open;
Volts free
output; 5A Rated

Table 5 – Function Description

Item	Description
Power Indicator	Power supply indicator; It is illuminated when the relay is powered up. (green light)
OVER Indicator	Over frequency Indicator; It flashes once per second when the frequency has exceeded the set value and illuminated when the delay timer has expired. if the frequency return within the set value range, alarm is removed automatically and indicator is extinguished.(red light)
UNDER Indicator	Under frequency Indicator; It flashes once per second when the frequency has fallen below the set value and illuminated when the delay timer has expired. if the frequency return within the set value range, alarm is removed automatically and the indicator is extinguished.(red light)
TEST Button	Press the button for 3 seconds and enter the Test Mode. The overfrequency relay and indicator output; Release and press the button again, underfrequency relay and indicator output. Press the button a third time to exit the Test Mode. Exit the Test Mode after 30s without any operation.
OVER /% Over Frequency Potentiometer	Used for adjusting over frequency set value. Range: (100~120)%; Setting value is the percentage of rated frequency value.
DELAY/s Delay Value Potentiometer	Used for adjusting over frequency delay value. Range: (1~20)s.
UNDER /% Under Frequency Potentiometer	Used for adjusting under frequency set value. Range: (80~100)%; Setting value is the percentage of rated frequency value.
DELAY /s Delay Value Potentiometer	Used for adjusting under frequency delay value. Range: (1~20)s;

6 SCOPES AND DEFINITIONS OF PROGRAMMABLE PARAMETERS

Table 6 – Programmable Parameters

No.	Items	Parameters	Defaults	Description
1	Gen Rated Frequency	(10.0-400.0)Hz	50.0	
2	Communication Address	(1-254)	1	

PC Program:

Parameters setting and real-time monitoring can be implemented via LINK port by using PC software and an SG72 adapter which produced by our company. As follows:



Fig.2 – PC Program Connection

7 TYPICAL DIAGRAM

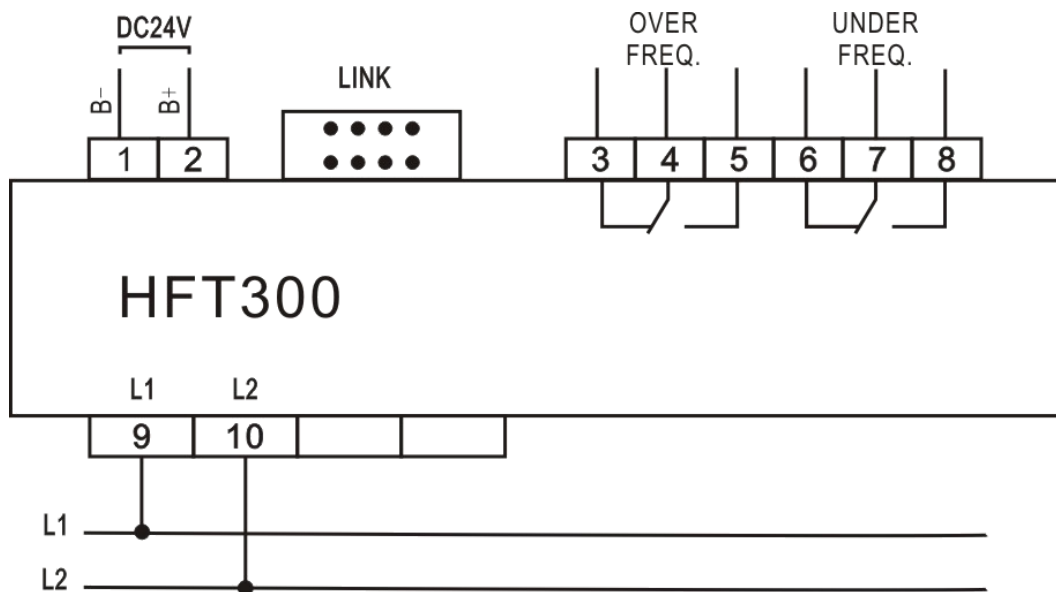


Fig.3 – Typical Application Diagram

8 INSTALLATION DIMENSIONS

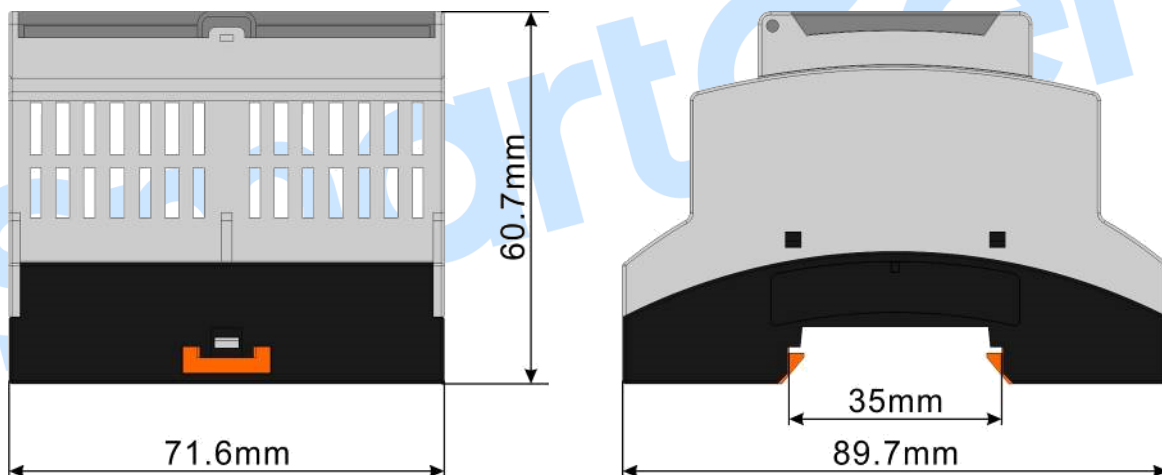


Fig.5 – Case Dimensions and Cutout

1) Output And Expand Relays

All outputs are relay contact output type. If need to expand the relays, please add freewheel diode to both ends of expand relay's coils (when coils of relay has DC current) or, add resistance-capacitance return circuit (when coils of relay has AC current), in order to prevent disturbance to controller or others equipment.

2) Withstand Voltage Test

⚠CAUTION! When relay had been installed in control panel, if need the high voltage test, please disconnect relay's all terminal connections, in order to prevent high voltage into relay and damage it.